

Two Patents and an iDEA

*Featuring KID
inventors!



Designed by:



FLORIDA INVENTORS
— HALL OF FAME —

Inspired by:

**UNITED STATES
PATENT AND TRADEMARK OFFICE**

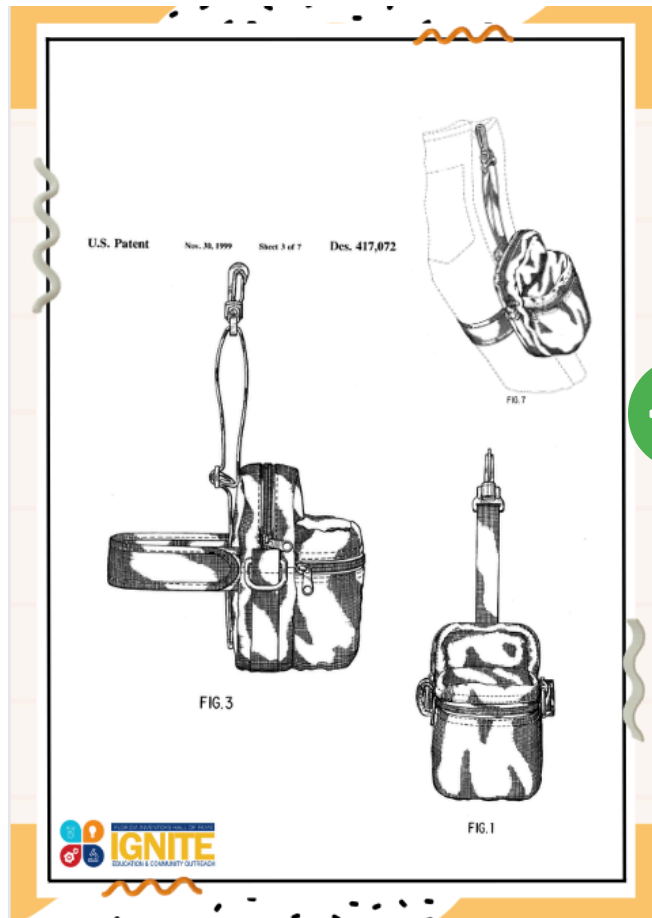


Directions:

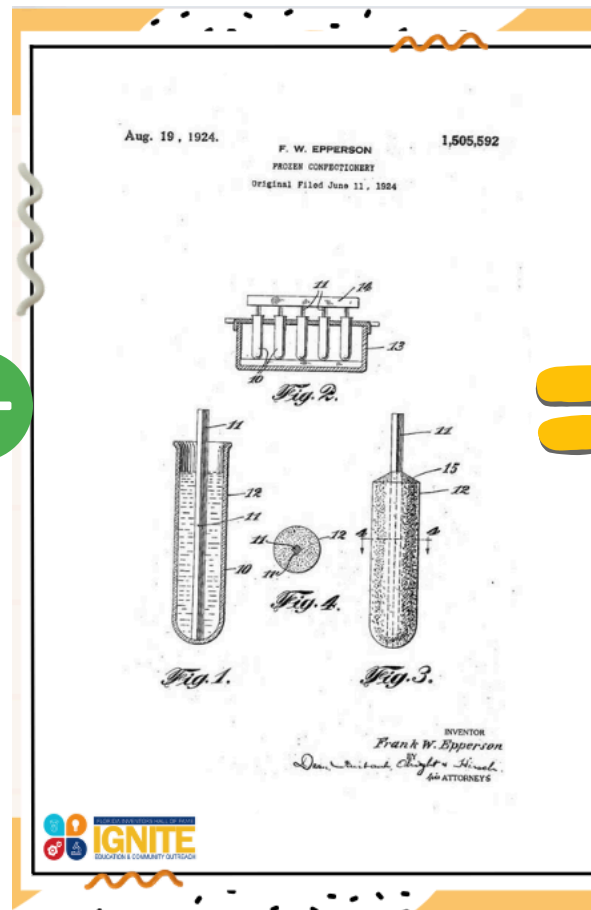
Choose two different random inventions created by kids. Read about their invention, looking over the patents and information found. Using the two random inventions as inspiration, create a new innovation that solves a problem. If desired, use the provided template to help organize ideas. Think with creativity and invent outside of the box!

Two Patents and an iDEA

Example:



Video Game Holster



Popsicle



A Popsicle Holster: A hands-free device that you can strap on your thigh, especially on long walks in the wintertime. While traveling to and from your destination the cold air will create popsicles in this mold, held in the holster.

Aug. 19, 1924.

1,505,592

F. W. EPPERSON
FROZEN CONFECTIONERY

Original Filed June 11, 1924

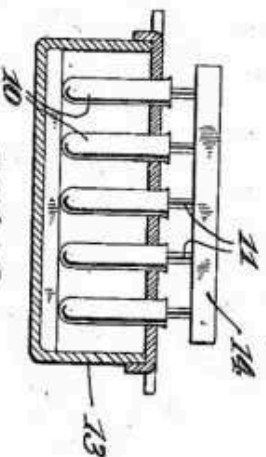


Fig. 2.

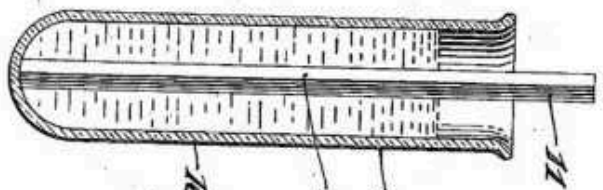


Fig. 1.

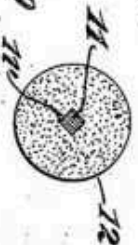


Fig. 4.

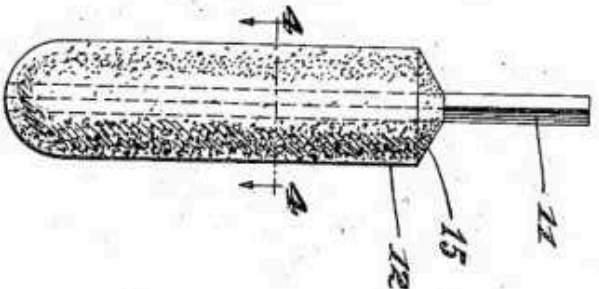


Fig. 3.

INVENTOR

Frank W. Epperson

Dean, Sinitank, Chrysler & Hissel,
His ATTORNEYS



FLORIDA INVENTORS HALL OF FAME
IGNITE
EDUCATION & COMMUNITY OUTREACH

Invention Name?

Popsicle

Who Invented It?

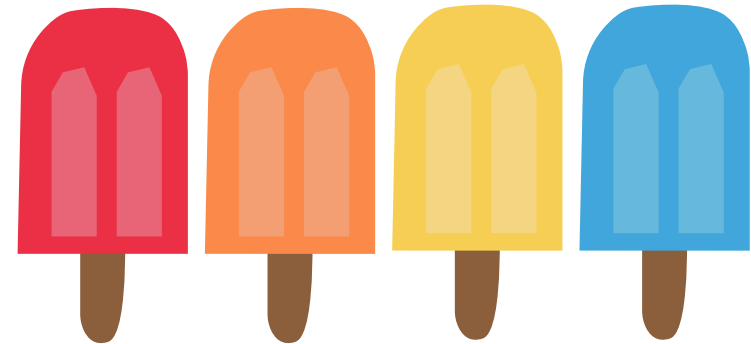
Frank Epperson

Age of Inventor?

11

Frank Epperson invented what we've come to know as a popsicle. It was a winter's eve in 1905 when Frank decided to mix a frozen concoction containing soda water powder and water. He accidentally left the drink outside overnight, with the stirring stick in the glass. The mixture froze solid and the first popsicle was born.

Though this was where it began, the treat didn't gain notoriety until 1922 when Epperson gave it out at a fireman's ball. He originally patented the idea under, "Eppsicle," but changed it after his children started calling it a "popsicle." So, funnily enough, kids came up with both the idea and the name.



U.S. Patent

Nov. 30, 1999

Sheet 3 of 7

Des. 417,072

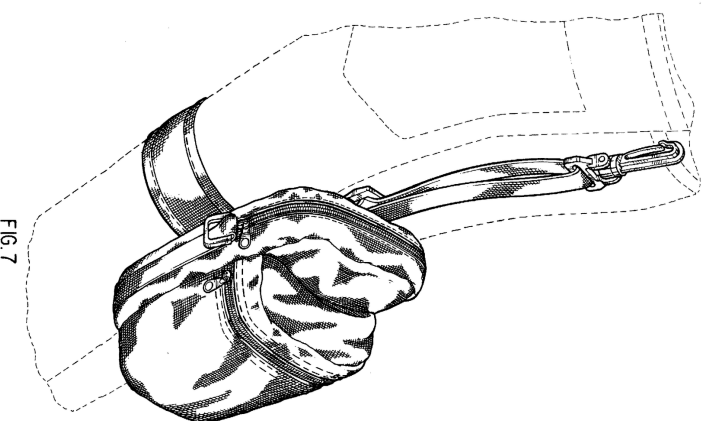


FIG. 7

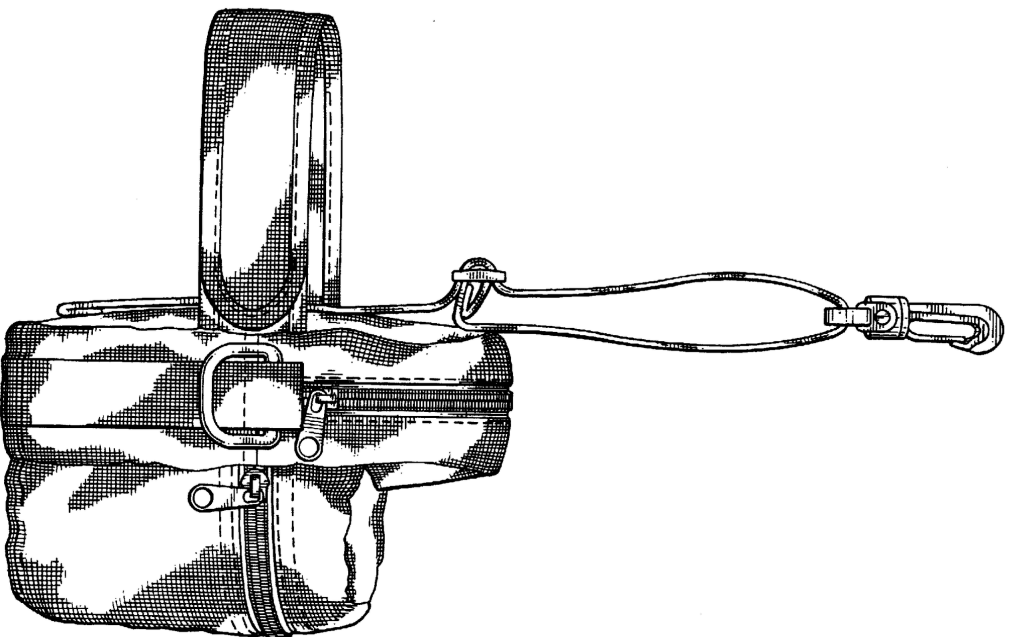


FIG. 3

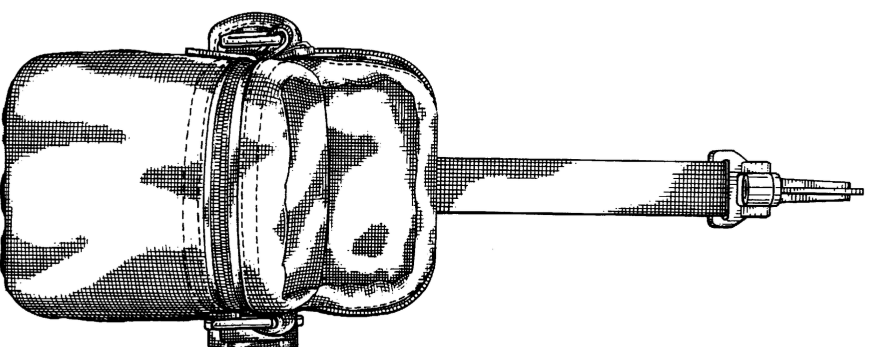


FIG. 1

Invention Name?

TPak

Who Invented It?

Kelly Reinhart

Age of Inventor?

6

One rainy afternoon, Kelly Reinhart's parents challenged her and her siblings to draw a picture of an invention in a competition. The prize for the winner was a prototype of their invention made in real life. Kelly, who was six years old at the time, had watched a lot of Western films and was inspired by cowboy holsters. She drew a thigh pack- later known as TPak- that would enable kids to carry their video games around. This idea changed the family forever as the TPak was a huge hit in the market. They eventually got an investor for their company, TPak International.



Nov. 18, 1930.

A. SADACCA

1,781,885

ELECTRIC LIGHTING DEVICE

Filed April 5, 1928

Fig. 2

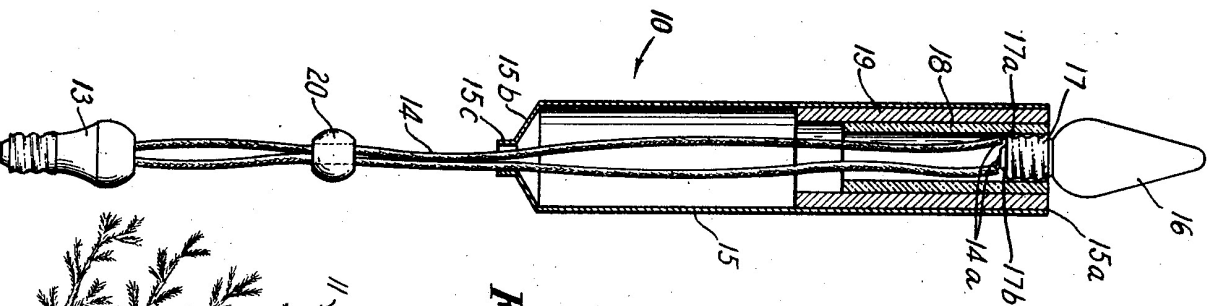


Fig. 3

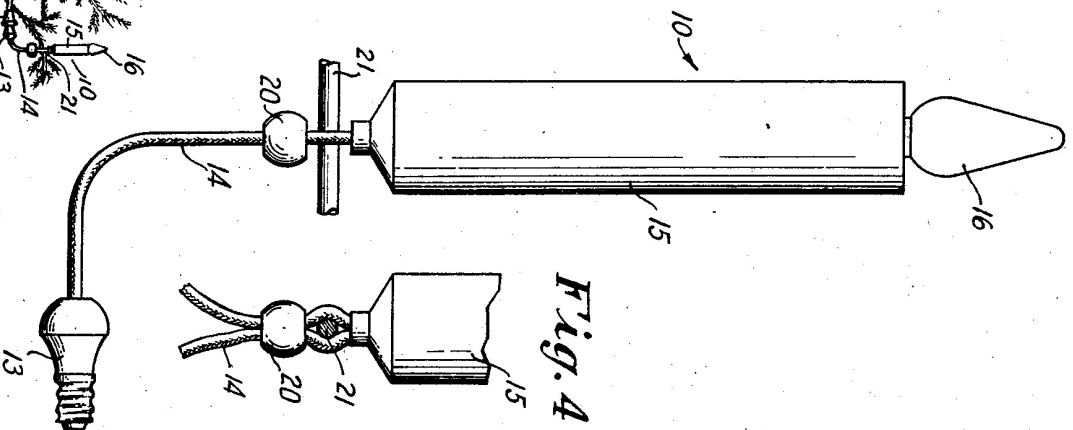


Fig. 4

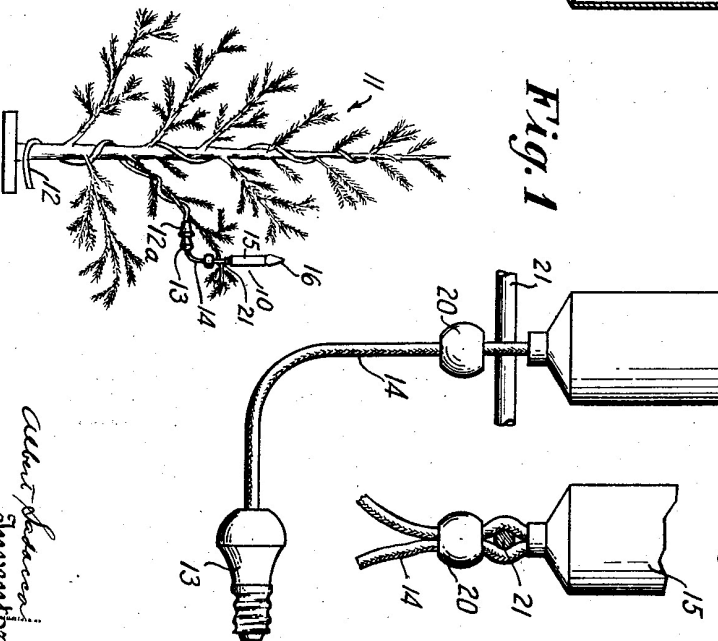
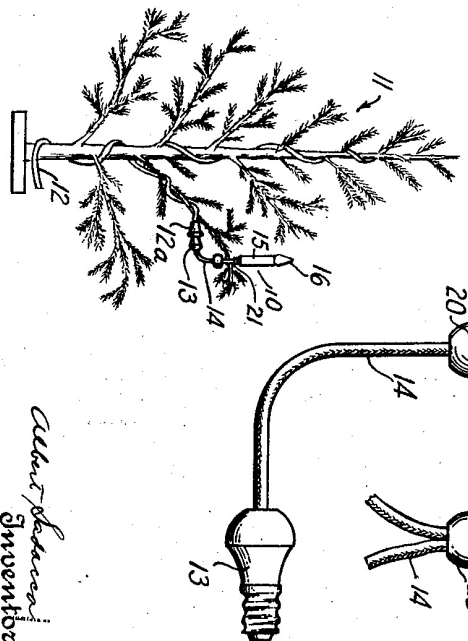


Fig. 1



Attest
Inventor

By *His Attorney*
Ernest A. Hurd

Invention Name?

Christmas Lights

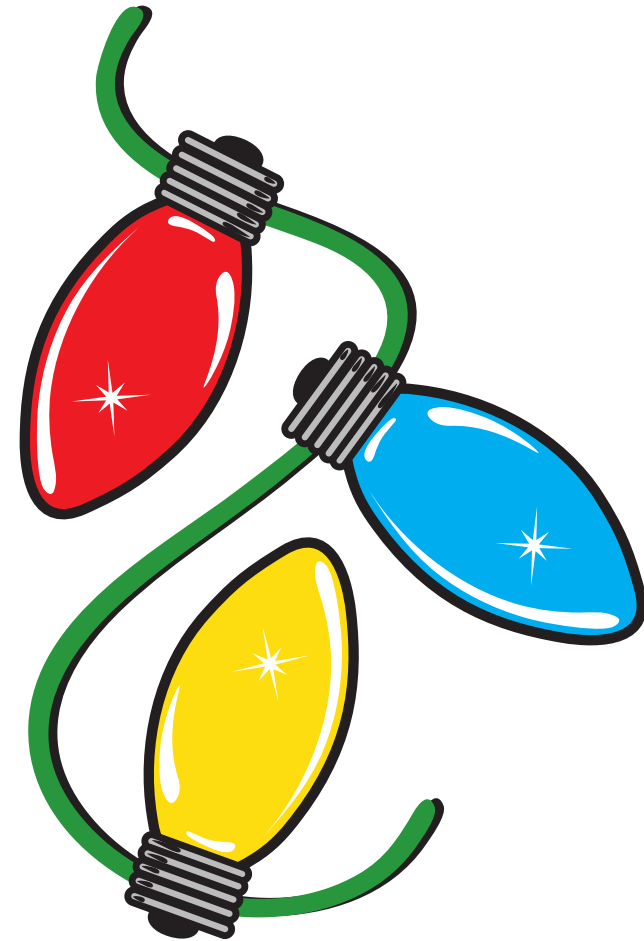
Who Invented It?

Albert Sadacca

Age of Inventor?

15

Prior to electric Christmas lights, people would simply use candles to decorate their Christmas trees. Believe it or not, people initially had more difficulty trusting the safety of electric lights than open flames. Nevertheless, public trust started to sway toward the electric lights, but they were ridiculously high priced. That is until Albert came along and invented a version of electric lights that were much more affordable. He used his parents' novelty lighting company to produce them in 1925 and now, because of him, they've become a staple of Christmas tradition.



March 6, 1962

J. A. BOMBARDIER
ENDLESS TRACK VEHICLE

3,023,824

Filed June 20, 1960

2 Sheets-Sheet 1

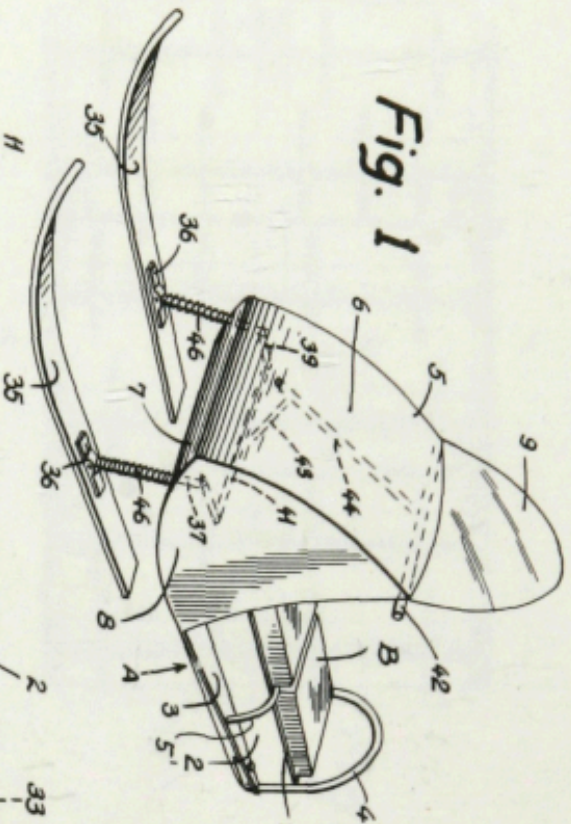


Fig. 1

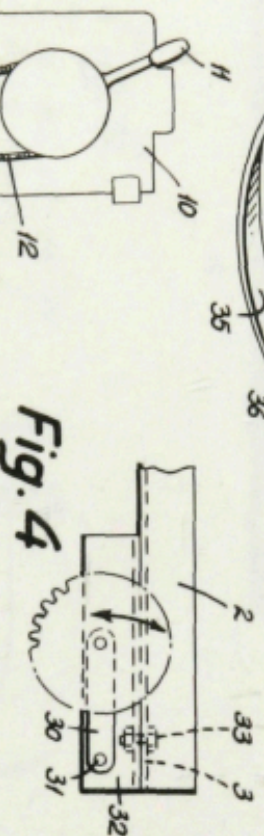


Fig. 2

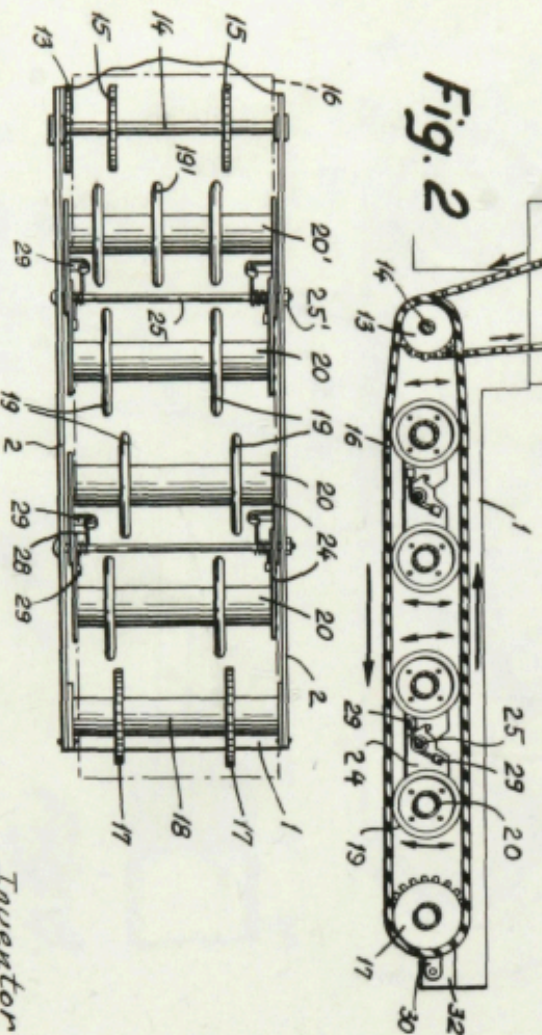


Fig. 3

Inventor
Joseph Armand BOMBARDIER
By *Gene Poppiama*
Agent

Invention Name?

Snowmobile

Who Invented It?

***Joseph - Armand
Bombardier***

Age of Inventor?

15

Joseph was always interested in mechanics and in 1922, at the young age of 15, he invented the snowmobile. According to Mental Floss, “He mounted the engine of a Ford Model T to four runners, with a handmade propeller perched on the back.” The original model of the invention traveled half a mile across the snow before finally stopping. He continued to tinker with the invention and by 1959 he had created the Ski-Doo AKA the world’s first ultralight snowmobile model.



March 6, 1945.

G. P. NISSEN

2,370,990

TUMBLING DEVICE

Filed June 4, 1941

2 Sheets-Sheet 1

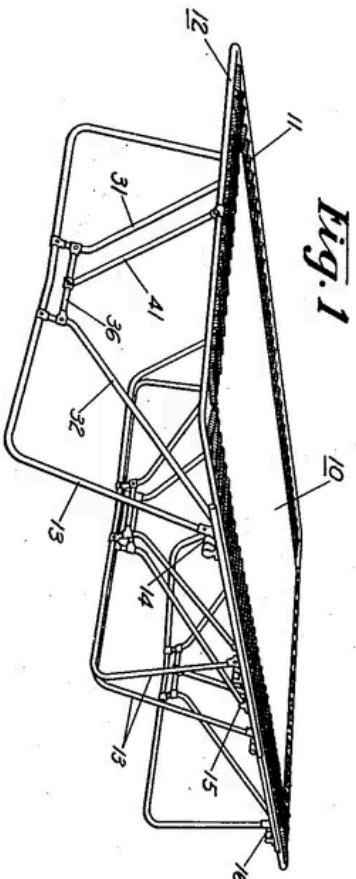


Fig. 1

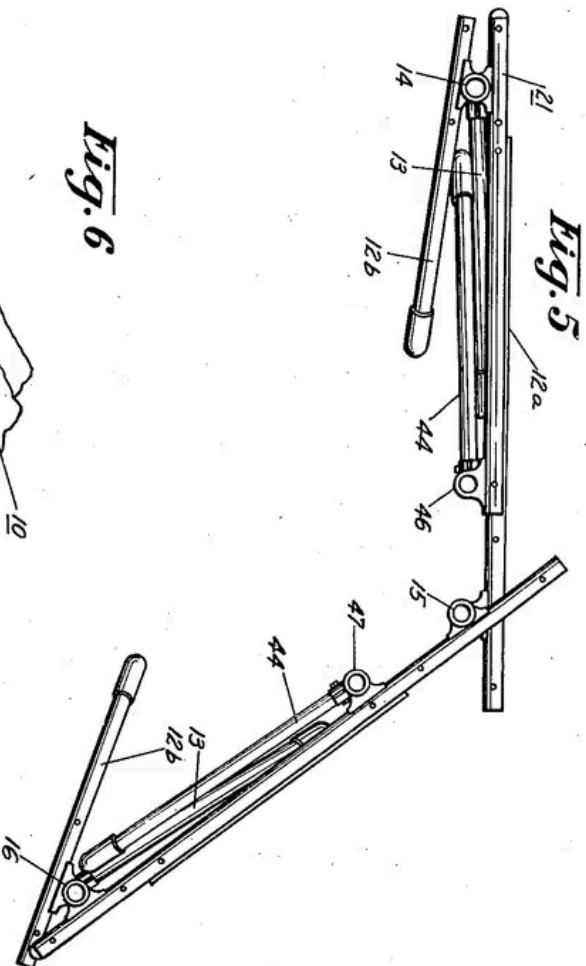


Fig. 5

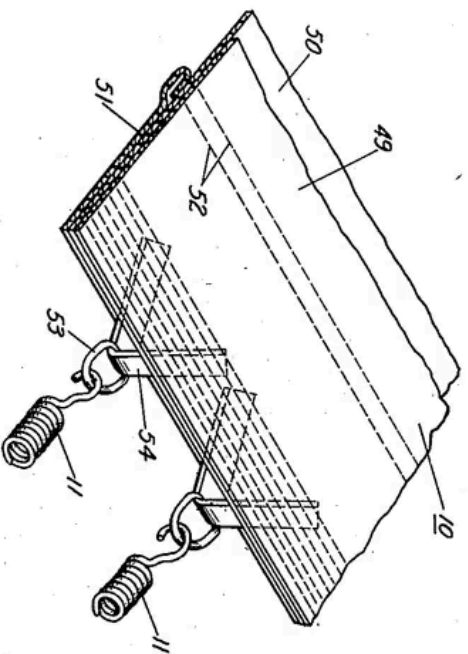


Fig. 6

INVENTOR.
GEORGE P. NISSEN
BY *Flournoy Coey*
ATTORNEY.

Invention Name?

Trampoline

Who Invented It?

George Nissen

Age of Inventor?

16

George invented the trampoline in 1930 at the age of 16. He came up with the idea after seeing trapeze artists drop into a net at the end of their performance. He thought the act would be more exciting if they kept bouncing around so he began working in his parent's garage. The original invention had a metal frame and a canvas stretched over it, but as he got older he perfected the design with a nylon canvas, giving it more bounce.



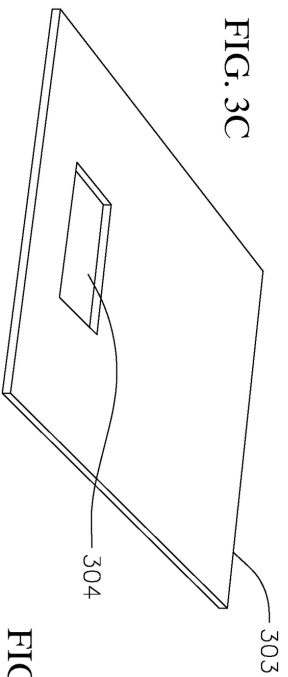


FIG. 3C

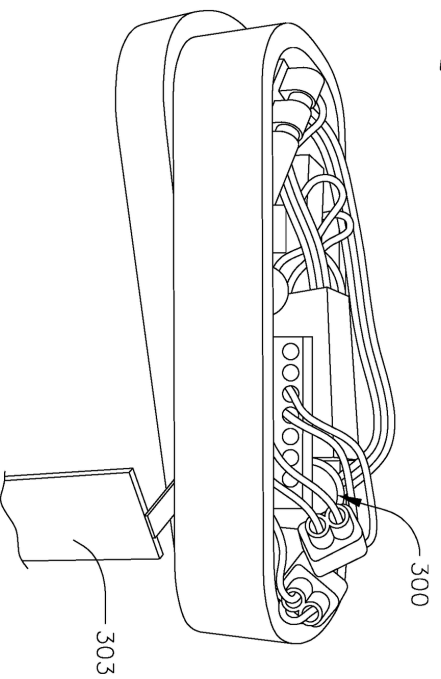
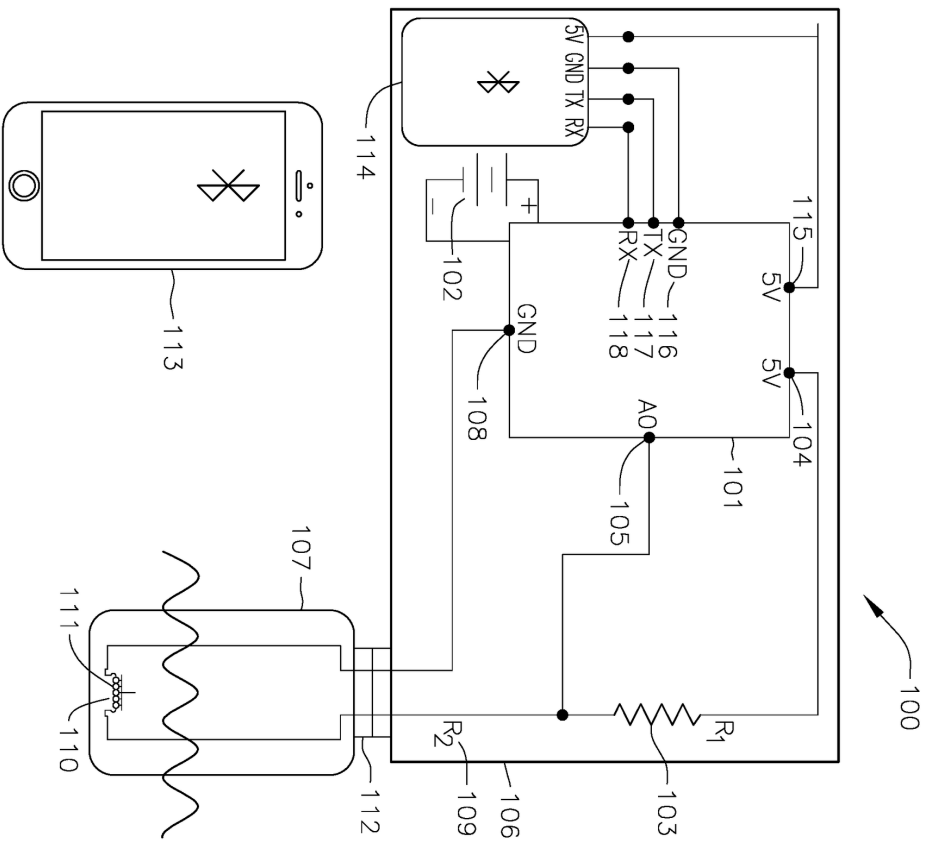
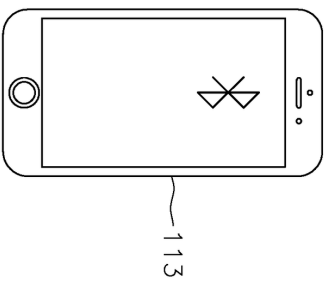


FIG. 3D



100



113



Invention Name?

Tethys

Who Invented It?

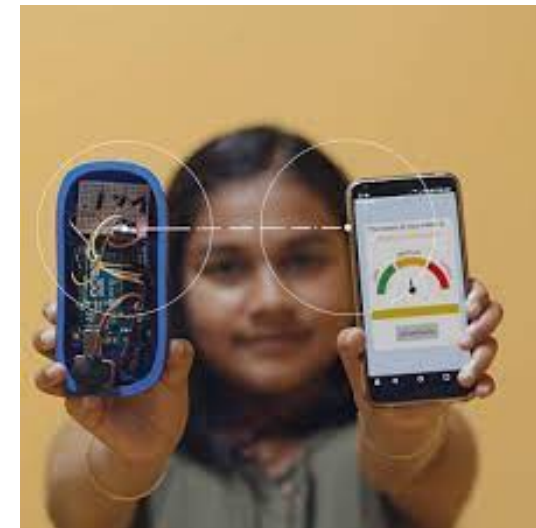
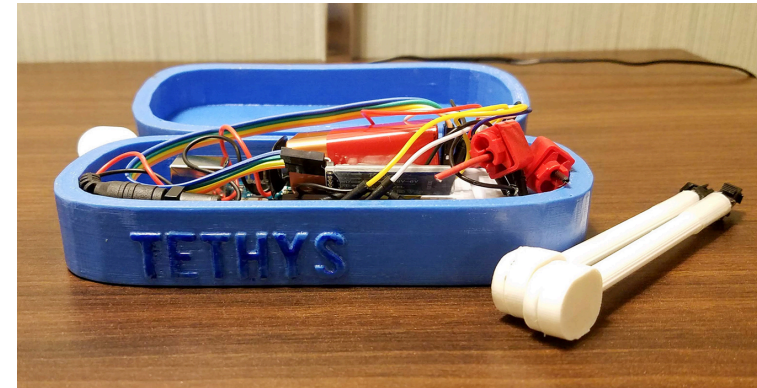
Gitanjali Rao

Age of Inventor?

8

In second grade, Gitanjali heard about the water crisis in Flint, Michigan, where 40% of homes were receiving dangerously contaminated water. She couldn't sleep that night because she kept thinking about how unfair it was that kids her age couldn't access clean drinking water. The next morning, she resolved to find a way to help.

After more than a year of research, brainstorming, prototyping, and testing, Gitanjali invented a device that uses nanotechnology to test water for contaminants and deliver fast, accurate results—all before she turned 11 years old. Gitanjali decided to name the device “Tethys,” for the Greek goddess of fresh water.





(12) **United States Patent**
Wen et al.

(10) **Patent No.: US 10,857,827 B1**
(45) **Date of Patent: Dec. 8, 2020**

(54) **PHYSICAL BOOKMARK**

(56) **References Cited**

(71) **Applicants:** Jennifer C Wen, Folsom, CA (US);
Brian C Wen, Folsom, CA (US)

U.S. PATENT DOCUMENTS
2002/0083884 A1 * 7/2002 McClosky B42D 3/14
116/235

(72) **Inventors:** Jennifer C Wen, Folsom, CA (US);
Brian C Wen, Folsom, CA (US)

* cited by examiner

(*) **Notice:** Subject to any disclaimer, the term of this patent is extended or adjusted under 35 U.S.C. 154(b) by 0 days.

Primary Examiner — Justin V Lewis
(74) *Attorney, Agent, or Firm* — Ariel S. Benuolliar, Bay Area IP Group, LLC

(21) **Appl. No.:** 16/430,105

ABSTRACT

(22) **Filed:** Jun. 3, 2019

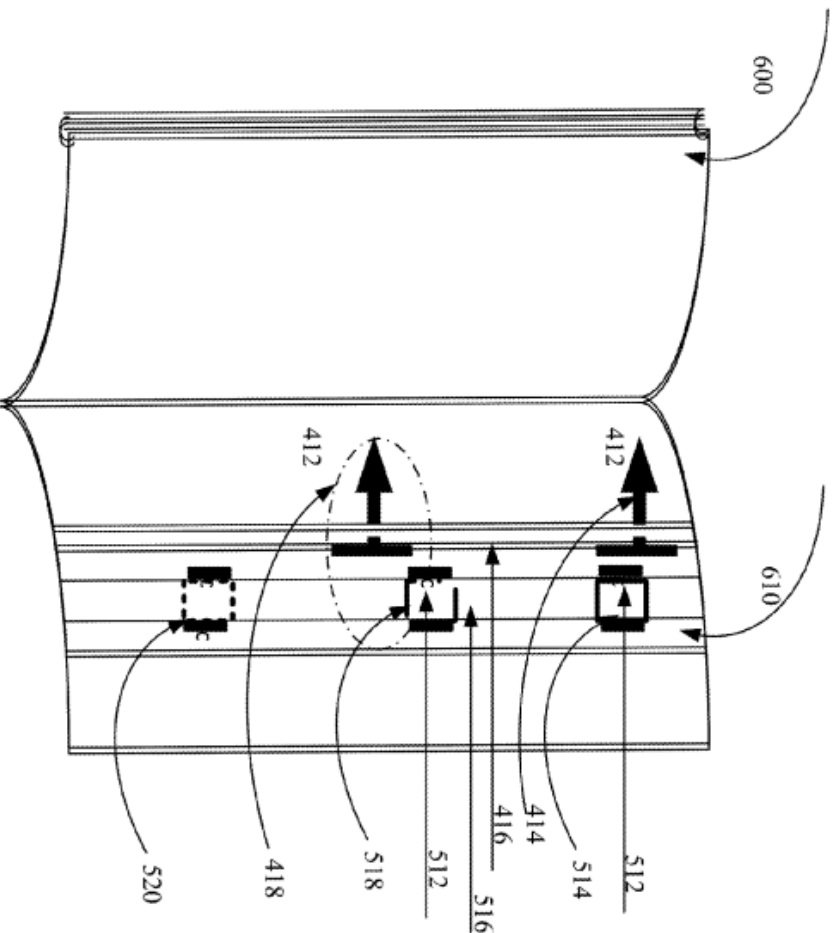
(51) **Int. Cl.**
B42D 9/00 (2006.01)

(52) **U.S. Cl.**
CPC *B42D 9/007* (2013.01); *B42D 9/008* (2013.01)

(58) **Field of Classification Search**
CPC B42D 9/007; B42D 9/008
USPC 281/2, 5, 9, 10, 11, 12, 15.1, 42, 45, 46, 281/47, 48, 49

See application file for complete search history.

11 Claims, 7 Drawing Sheets



Invention Name?

***The Last Word
Bookmark***

Who Invented It?

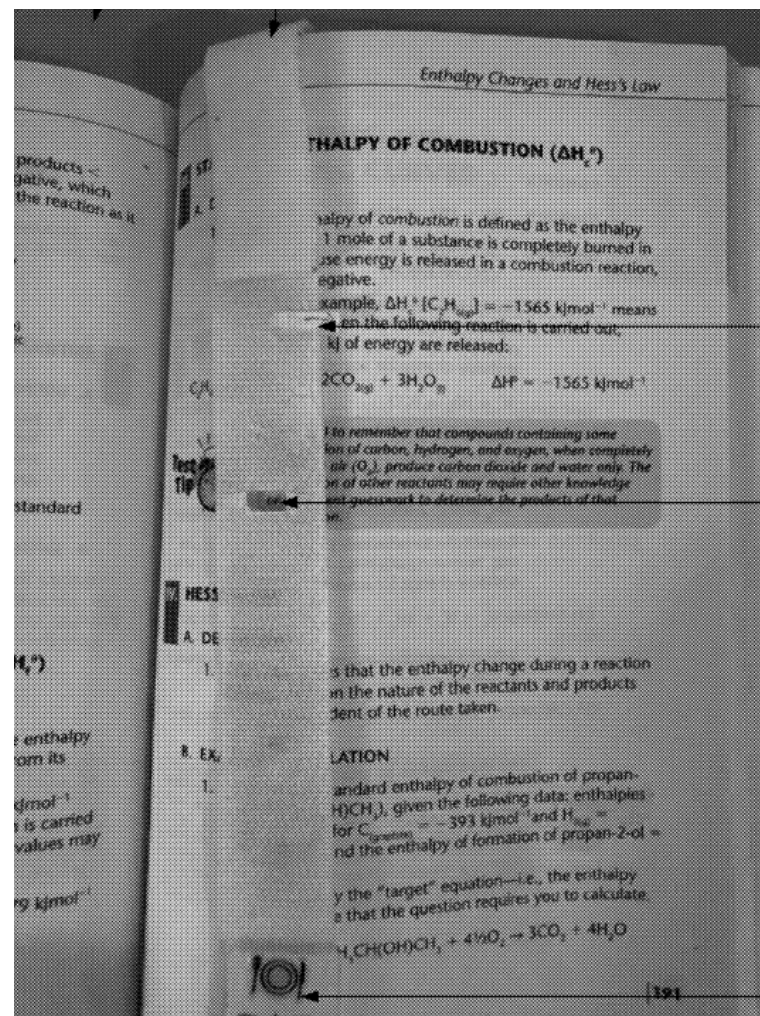
Jennifer Wen

Age of Inventor?

7

Jennifer loved exploring her mother's sewing box to see if she could invent new uses for the items she found there. One day she saw a hoop and loop fastener and wrapped it around a few of her toys. She then wrapped it around a book and then a few pages in the book. Jennifer taped an arrow to the hoop and loop fastener, thinking it would make a cool bookmark because she could mark the page and the last word she read in the book.

Jennifer shared her bookmark idea with her brother Brian, and the siblings worked to improve the design. Brian noticed the bookmark's arrow was fragile and suggested replacing it with a clear window so readers could mark the page and see the final word they read. Jennifer and Brian filed a patent application for their bookmark and were granted!



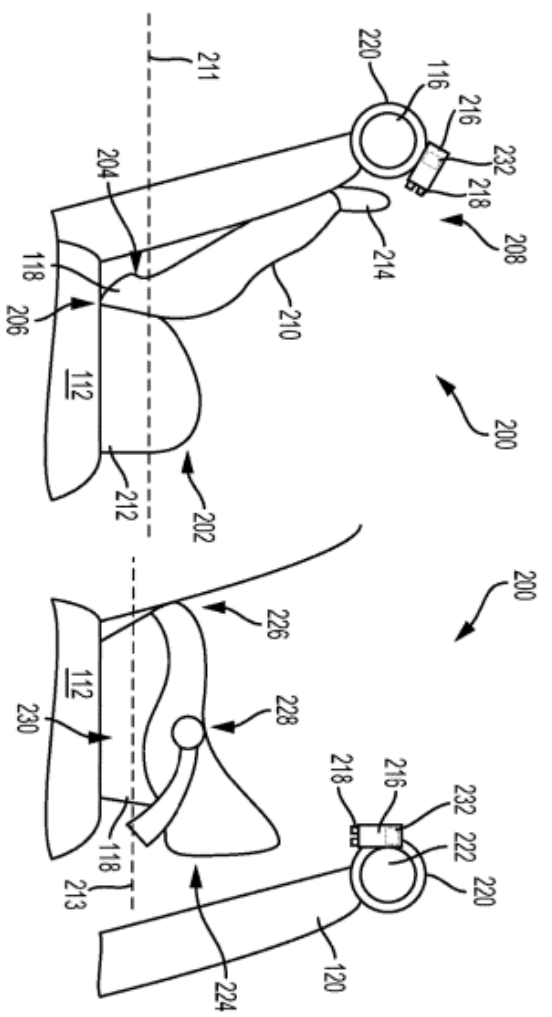


FIG. 2A

FIG. 2B

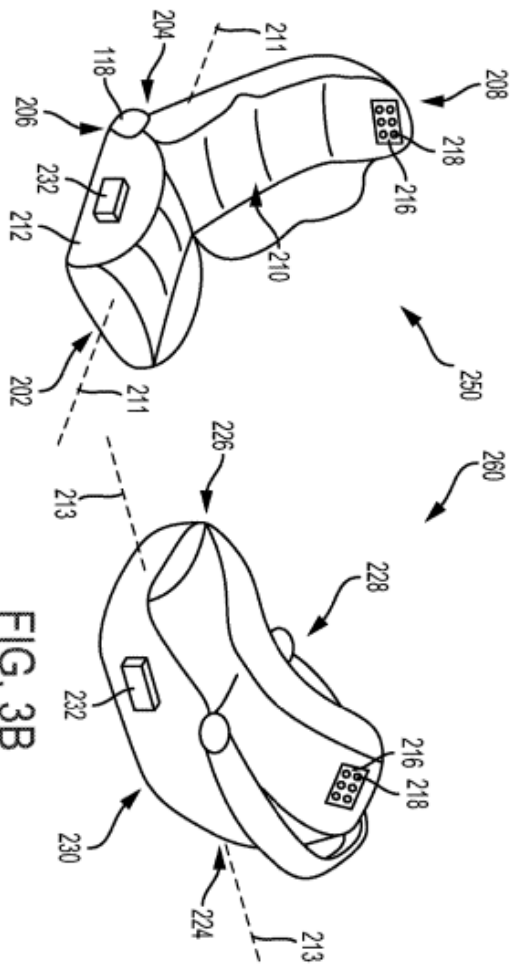


FIG. 3A

FIG. 3B

Invention Name?

Oasis

Who Invented It?

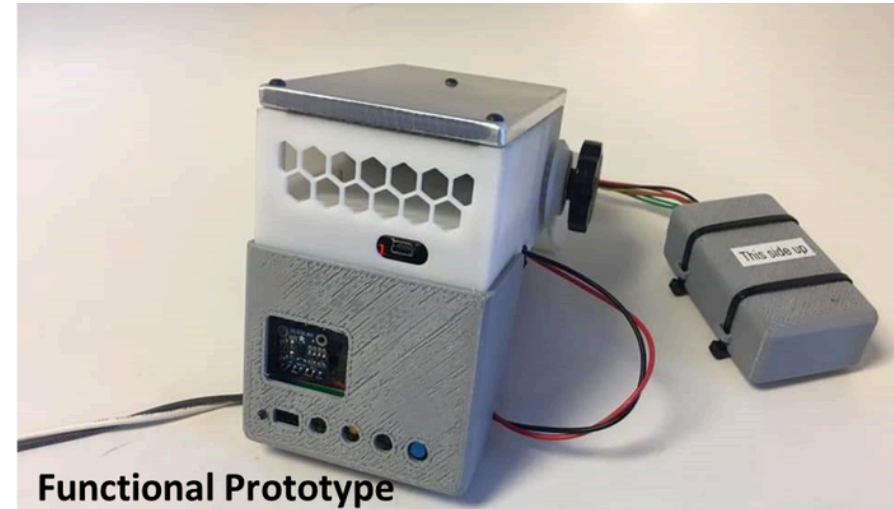
Bishop Curry

Age of Inventor?

10

At the age of ten, Bishop Curry was inspired to invent a way to prevent the accidental death of children in hot cars after a tragedy involving a young child in his neighborhood. Starting with a rough sketch, Bishop came up with an idea for a device that included motion sensors, global positioning, messaging capabilities, and more.

Bishop's device, which he called "Oasis," attaches to the top of a child's car seat. A motion sensor detects a child in a motionless car, and within minutes sends a message to the parents, then alerts the authorities, including the car's location. At the same time, the device activates a thermoelectric cooling device to blow cool air on the child until help arrives.



1

Invent

What is the problem? Who is impacted by the problem?
Write down ideas for an invention from group brainstorming.

2

Branding

Name the invention, create a logo, and write a slogan for the invention.

3

Sketch, Label, and Search

Sketch, label and (if time) search for your invention.

4

Plan the Pitch

What would you say as someone selling your invention?