

TWO PATENTS & AN IDEA: FALL EDITION

Lesson Description

Get ready to invent with an autumn twist! As the leaves change and the air turns crisp, students can explore how creativity and problem-solving can take on a whole new (and slightly spooky) dimension. During this activity, students will start by selecting two different inventions inspired by the fall. Examples are provided, but feel free to use any inventions that you choose!

After learning about their chosen inventions, students will use them as inspiration to craft their very own fall-themed innovation that solves a problem. Whether it's frightfully fun or cleverly useful for the season, the invention should make this time of year even more engaging. Use the provided template to help students organize ideas. It's important to let their imagination run wild—the more out of the box, the better!

Prompting Ideas

- Does your invention make trick-or-treating safer for kids or add fun to a Halloween party?
- Any fall weather related issues? Or maybe you helps with chores like raking leaves?
- What tool would you invent to make the perfect fall feast?
- Design an invention to help you on a windy fall day—something for leaf collection, staying cozy, or navigating the weather!
- Could you create something that would improve a haunted house or stage performance?



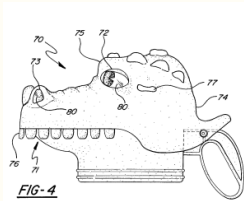
EXAMPLE

Invention #1

Treat Bag

U.S. Patent 6145553 features an innovative trick-or-treat bag designed to make candy collection extra fun for kids. This unique bag has a lid that opens to reveal a spooky face, adding a playful element to the Halloween experience.

It includes two channels that guide the candy into the "mouth" and then drop it into a receptacle or holding area.

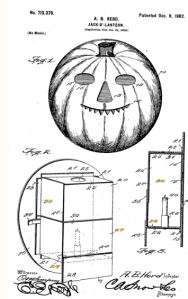


Invention #2

Lighted Pumpkin

A jack-o-lantern is traditionally made by hollowing out a pumpkin, carving cutouts in the remaining shell to simulate the eyes, nose and mouth, and then inserting a candle within the shell to illuminate the same.

This invention relates to an electric lamp for illuminating jack-o-lanterns and the like.



INSPIRED INVENTION

Illuminated Trick or Treat Bag

This light-up trick-or-treat bag ensures that kids stay visible while collecting candy on Halloween night. It improves the treat bag by utilizing the lighted element of the jack-o-lantern.



DON'T FORGET TO COME UP WITH AN AUTUMN-INSPIRED NAME, LOGO, AND SLOGAN THAT WOULD MAKE YOUR INVENTION STAND OUT IN THE MARKETPLACE.

INVENT

What is the problem? Who is impacted by the problem? Write down ideas for an invention from group brainstorming.

BRANDING

Name the invention, create a logo, and write a slogan for the invention.

SKETCH & LABEL

Sketch, label and (if time) search for your invention.

PLAN THE PITCH

What would you say as someone selling your invention?

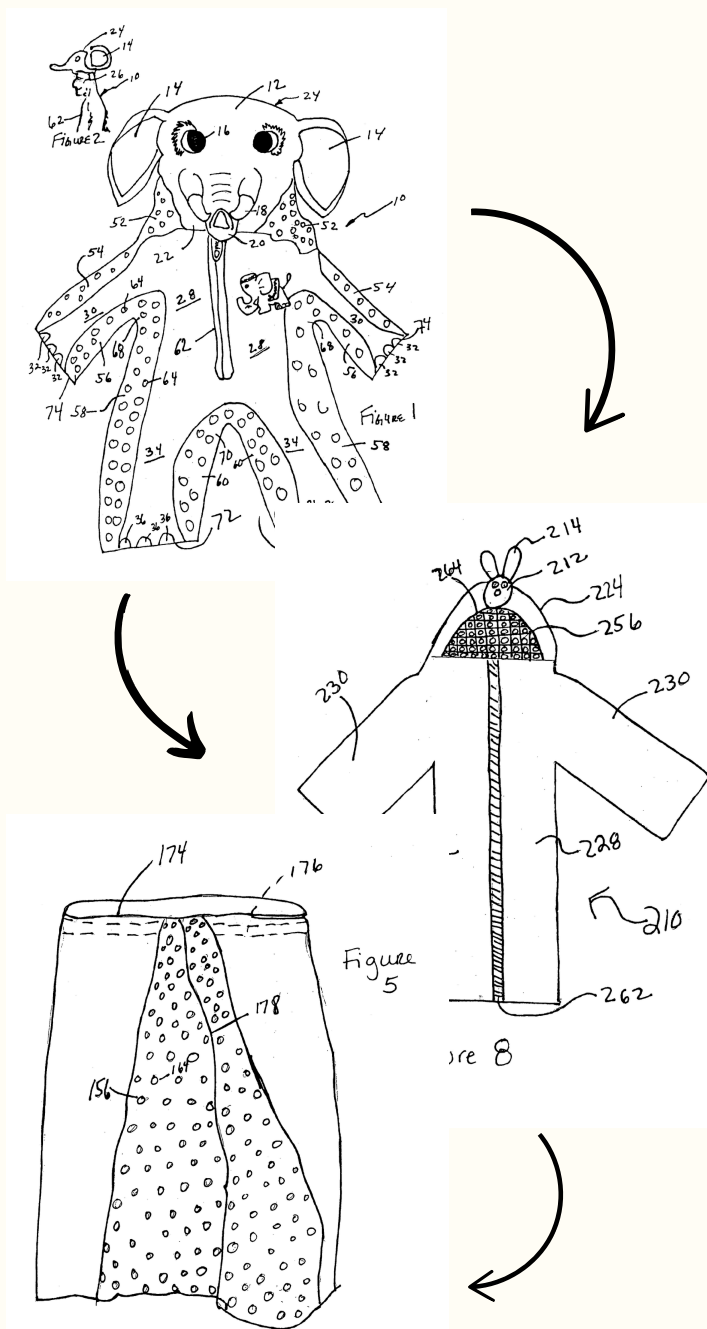
WEATHER ADAPTIVE HALLOWEEN COSTUME

Invention Description

A Halloween costume particularly adapted to accommodate changes in weather and climate is disclosed. The Halloween costume may be sold in varied geography and be worn regardless of seasonal and whether variation. The inventive Halloween costume comprises several garment member portions which completely define the appearance of the Halloween character. The insulative material is disposed over at least a portion of the first garment base member portion. Another portion of the costume comprises a venting material which functions as a ventilator for the Halloween costume. At least one decorative member is secured to the Halloween costume. The decorative member further outlines the appearance of the Halloween character.

Inventor & Patent

Rod Spongberg
US6904612B2



HALLOWEEN TRICK BOWL



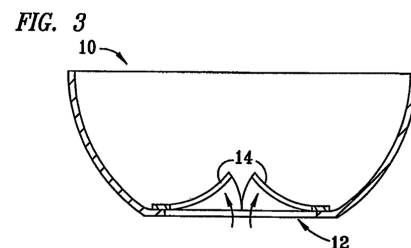
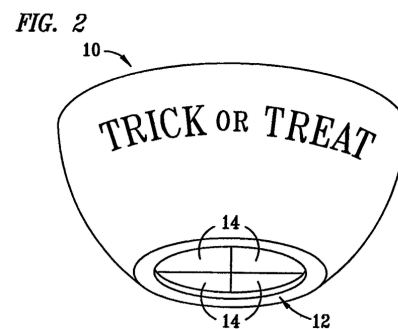
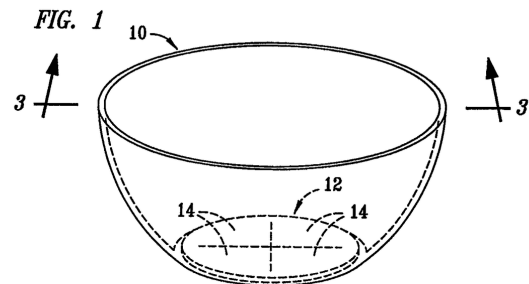
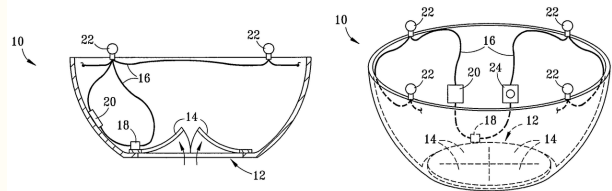
Invention Description

Introducing a fun and spooky candy bowl designed to surprise your trick-or-treaters!

This apparatus features a bowl with an opening, equipped with multiple movable members that shift between a closed position, where they securely hold candy, and an open position, allowing hands to reach in. Once the movable members are opened, a light illuminates, creating an eerie glow. With this clever invention, not only can you hand out treats, but you can also play a trick by making it seem as if a hand might reach out to grab unsuspecting visitors. Get ready for a frightfully good time this Halloween!

Inventor & Patent

Jackson River Phipps
US7806551B1



FOOTBALL HELMET

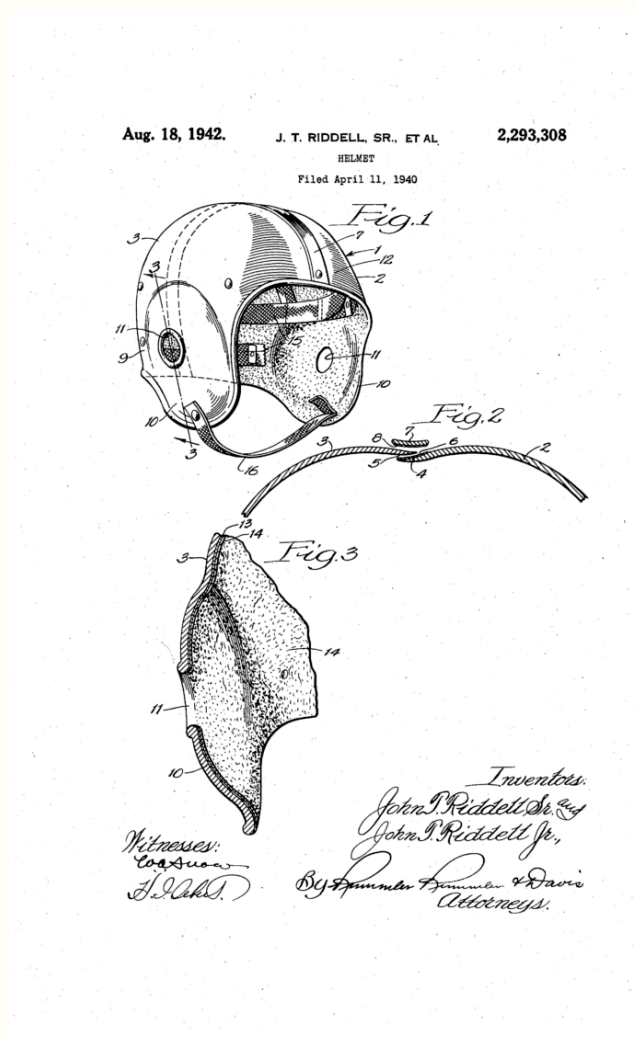


Invention Description

Football fans often gather at fields and stadiums to enjoy the classic fall sport. In 1939, John T. Riddell invented the first plastic suspension helmet (U.S. Patent No.), replacing soft leather helmets with a design that absorbed impact to better protect players' heads. Riddell's innovations led to his company becoming a major force in the sports equipment industry. Although Riddell's exclusive branding rights as "the official helmet of the NFL" were revoked at the end of the 2013 season to promote more innovation, his equipment continues to be used at all levels of play. Keep an eye out for the Riddell name next time you watch a game!

Inventor & Patent

John T. Riddell
US229330A



COFFEE FILTERS



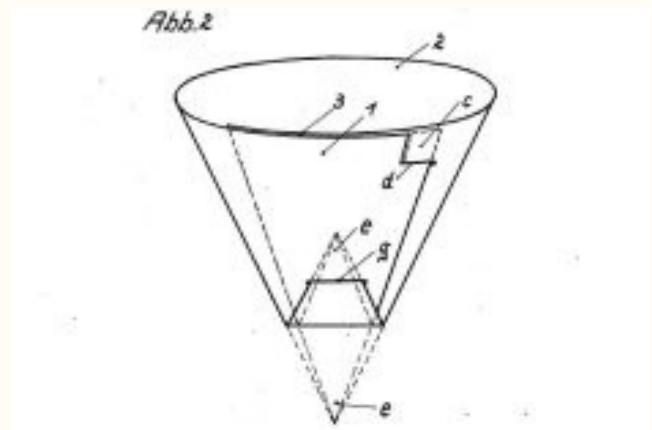
Invention Description

We all love indulging in our favorite fall flavors, from pumpkin spice lattes to cozy cups of warm coffee. That's where Melitta Bentz's invention comes into play! Tired of finding coffee grounds in her morning brew, she cleverly created the first coffee filter using blotting paper from her son's notebook. This simple yet revolutionary idea earned her a patent in 1908, transforming how we enjoy our coffee and making those autumn mornings even more delightful.

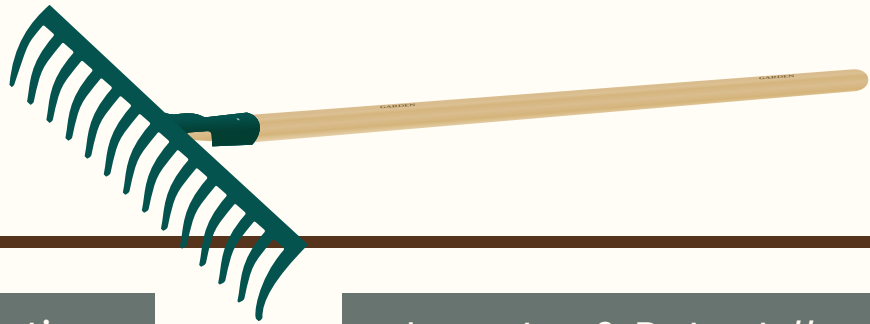
With a perfectly brewed cup in hand, it's easier to savor the crisp air and vibrant colors of the season!

Inventor & Patent

Melitta Bentz
DE 653796A



THE RAKE

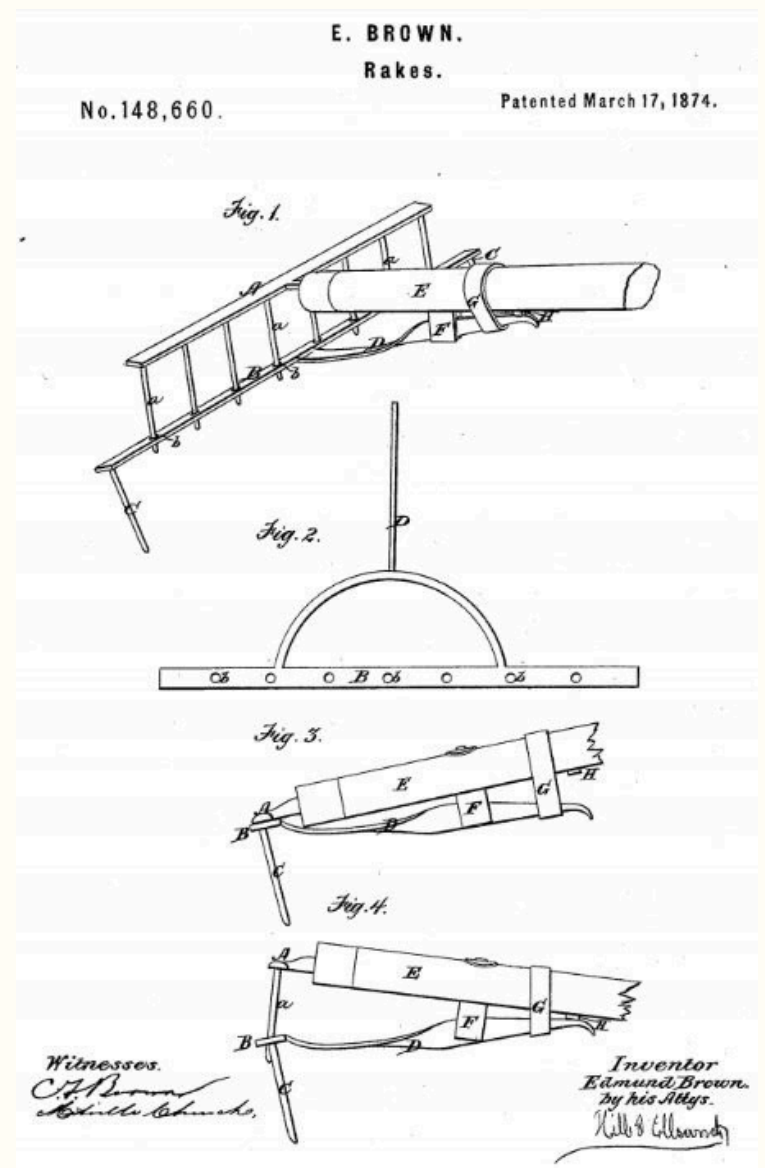


Invention Description

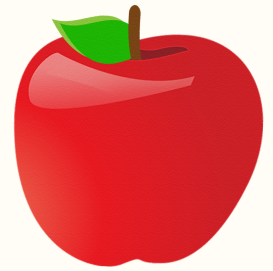
As leaves change in the fall, raking becomes a common chore. Inventors have made this task easier, starting with Edmund Brown's patented rake in 1874 (U.S. Patent No. 148,660), which featured a bamboo handle and metal teeth. Brown's design included an "automatic clearing attachment" that removed debris without requiring users to do it by hand. Another significant innovation is C.J. Rocquin's rake, patented in 1929 (U.S. Patent No. 1,706,547). This design streamlined production and made it easier to replace broken teeth, enhancing convenience for users. Rocquin went on to secure five additional patents for improvements in rakes and tools.

Inventor & Patent

Multiple Inventors & Innovators



CARMEL APPLE MAKING MACHINE



Invention Description

The caramel apple is a beloved fall treat, whether bought at pumpkin patches or made at home. It originated when Kraft Foods employee Dan Walker discovered a recipe using leftover Halloween caramels. He melted them down, added apples, and created the sweet delight we know today.

In 1960,

Vito Raimondi invented and patented the first caramel apple machine, which streamlined the dipping process. His machine featured seven work stations: one inserted sticks into the apples, another coated them in caramel, and the last added toppings like nuts or candies

Inventor & Patent

Vito Raimondi
US3,660,118

